

### Description

Rugged exits for use in areas of potential abuse. Exits feature corrosion-resistant polycarbonate enclosures and high output, long life LED lamps.

### Features

#### All Models

- Rugged wraparound polycarbonate housing
- Corrosion resistant construction
- Recessed tamperproof hardware standard
- AC-only and emergency models
- Wall, ceiling and end mount models
- Universal directional chevrons provided by means of knockouts
- White housing standard, black optional
- High output, long life LED lamps
- Red or green exit letters
- Optional damp and wet location models

#### Emergency Models

- Universal 120/277VAC field selectable input
- 90 minutes of emergency lighting
- Solid-state charging and switching circuits
- Choice of sealed maintenance free lead calcium or nickel cadmium battery
- Low voltage disconnect protects battery against deep discharge damage
- AC Lockout feature reduces installation time
- Momentary test switch
- LED AC indicator light
- Optional self-diagnostic circuit available
- Meets NFPA Life Safety Code 101, NEC, OSHA, State and local codes
- UL924 listed



Wall Mount

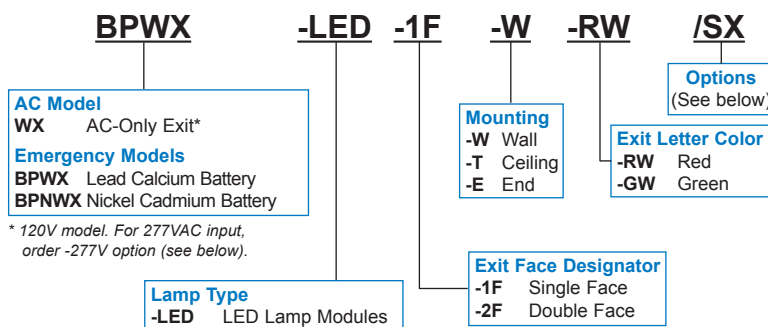


Ceiling Mount



End Mount

### Ordering Guide



NOTE: All product specifications shown are subject to change without notice.

### Options<sup>(1)(2)</sup>

Add Suffix	Description
/B	Black Finish
/277	277VAC, 60Hz. Input (AC models only)
/220	220VAC, 50Hz. Input
/DL	Damp Location Operation
/WL	Wet Location Operation
/DW	Downlight Apertures
/SX	Self-Diagnostic Circuit (emergency models only)
/IA	Audible Intermittent Alarm (emergency models only)
/IV	Visual Intermittent Alarm (emergency models only)
/FA	Fire Alarm Panel Interface (AC models only)

(1) Other options available. Consult factory.

(2) Some options may impact product UL listing. Consult factory.

### Specifier Reference

Project: \_\_\_\_\_

Fixture Type: \_\_\_\_\_

Model No.: \_\_\_\_\_

Comments: \_\_\_\_\_

**Construction**

**Housing:** Clear polycarbonate wraparound cover over 18-gauge steel housing finished in white baked-on powder paint providing scratch and corrosion resistance. Optional black (B) finish is available, see Options on front for ordering details.

**Exit Face**

**Letter Size:** 6" letters with 3/4" stroke

**Directional Indicators:** Removable chevron arrows sized to meet UL visibility requirements.

**Illumination**

**Light Source:** Illumination in all LED lamp models is provided by a special high intensity indirect red or green LED panel. Letter brightness and illumination uniformity exceed UL requirements in all models

**Installation**

**Mounting:** Wall and ceiling mounted exits are designed for installation to wall surfaces by means of four 5/16" mounting holes provided in the enclosure housing. End mount models are provided with a wall bracket into which the exit installs.

**Wiring:** Knockouts are provided on both sides of the enclosure for attachment of surface wiring or conduit.

**Power Consumption**

	Red Letters		Green Letters	
	120V	277V	120V	277V
AC-Only LED Models	4.8W	4.6W	4.8W	4.6W
Emergency LED Models	4.8W	4.6W	4.8W	4.6W

Power Factor (all LED models): 0.85 lagging

**Charger and Electronics**

**Charger Type:** Lead calcium battery models utilize a fully automatic, temperature compensating, variable rate type charger. Nickel cadmium battery models utilize a fully automatic, temperature compensating, constant current type charger.

**Utility Input:** 120/277VAC, 60 Hz.

**Temperature Range:** 68°F to 86°F (20°C to 30°C)

Exits ordered with damp location (DL) or wet location (WL) options: 32°F to 104°F (0°C to 40°C)

**Recharge Duty Cycle:** 24 hours

**Load Transfer:** Solid state transfer circuit

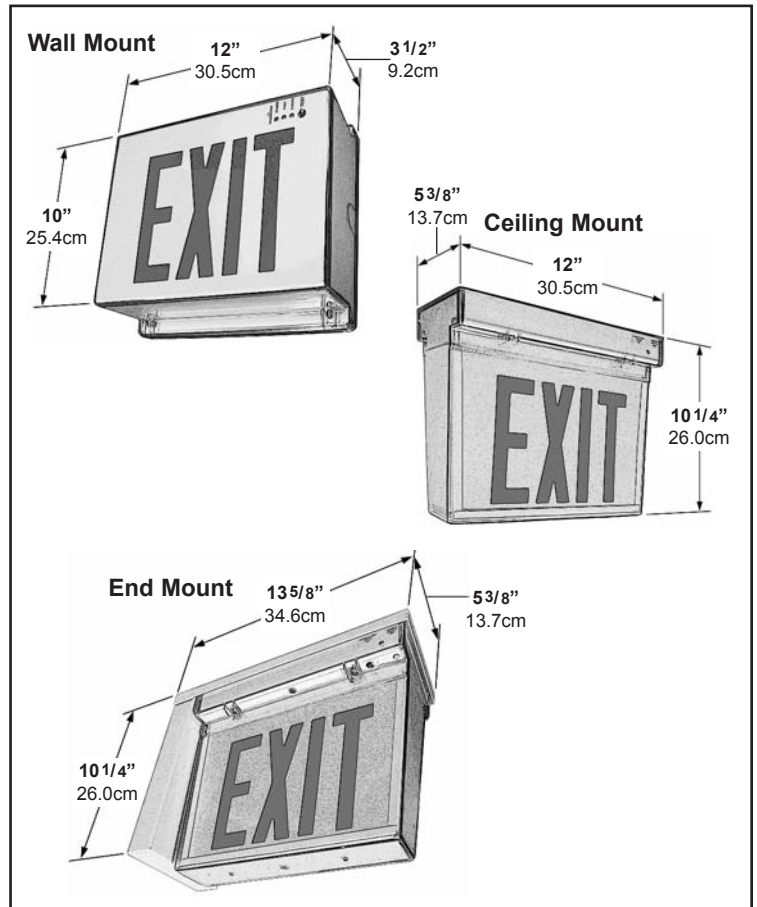
**Controls:** Momentary test switch and LED AC-On indicator light

**Safety Circuitry:**

**AC Lockout:** Prevents battery discharge prior to initial unit power-up saving installation time.

**Low Voltage Battery Disconnect:** Protects the battery from being severely damaged by deep discharge during prolonged power failures.

**Dimensions**



**Emergency Operation**

Upon failure of the normal utility power, a solid-state transfer switch automatically activates the LED lamp module providing uninterrupted operation. Emergency illumination will be supplied for a minimum of 90 minutes. During emergency operation, the exit battery is protected from severe discharge damage by an automatic low voltage disconnect circuit that discontinues unit operation when battery voltage reaches 87.5% of nominal. When normal utility power is restored, the battery is automatically disconnected from the load and a recharging cycle begins that will return the battery to full capacity within 24 hours.

**Code Information**

All models are UL Listed and meet NFPA 101 Life Safety Code, NEC, OSHA, state and local codes. Emergency models are UL924 Listed.

**Battery**

**Model BPWX:** Sealed Lead Calcium maintenance free battery designed to provide many years of dependable service.

**Model BPNWX:** Sealed Nickel Cadmium longest life maintenance free battery.

**Warranty**

**Unit:** 3 years full coverage against defects in materials and workmanship from date of shipment

**Battery:** 3 years full warranty plus an additional 7 years of pro-rata coverage