

G500 EXIT SERIES WITH NEMA 4X ENCLOSURE

LED or Incandescent Lamping



FEATURES

- LED lamping
- NEMA 4X housing
- Low voltage battery disconnect
- Self diagnostic option
- Optional battery types
- Plastic lens cover
- AC or self-powered

BENEFITS

- 10 year life – 4 watts power
- Suitable for hosedown
- Added battery life
- Reliable operation
- Optimized operation
- Meets FDA requirements
- Versatile usage

APPLICATIONS

- Food processing
- Industrial plants
- Corrosive areas
- Chemical plants
- Water treatment plants
- Seacoast areas
- Pharmaceutical processing

Specifications/Features

GENERAL

- EXIT sign meets NFPA, Life Safety, OSHA, NEC, local and state codes.
- Wall mount design, single face.
- Side mount lighting heads optional.
- AC only or self-powered, remote capability.

CONSTRUCTION

- NEMA 4X enclosure.
- Polycarbonate housing.
- Special one way enclosure vent.
- Directional indicators provided by peel off labels.

LAMP & SIGN

- Two 15 watt incandescent lamps.
- LEDs use 4 watts.
- Specify red or green lettering.
- Optional side mounted lights.
 - Lamps provide trapezoidal distributions.
 - Lighting heads of enclosed and gasketed noryl.
 - Fully adjustable lighting heads.
 - Also available in halogen lamps.
- - Use "PLC" plastic lens cover in food areas.

ELECTRICAL

- Dual 120 or 277 VAC input on self-powered units, specify voltage on AC unit.



Series features true NEMA 4X rated polycarbonate enclosure to resist corrosive chemicals, splashing water, hosedown.



Optional side mounted high intensity PAR36 sealed beam lamps designed to seal out moisture. Use "PLC" lens cover for food plants.

- Long life maintenance free lead calcium battery (Optional nickel cadmium available).
- 1-1/2 hours of light to an end battery voltage of 87-1/2% of nominal voltage.
- Remote fixture capability available on select models.

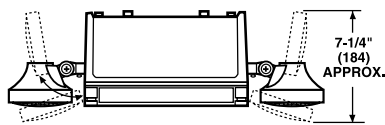
ELECTRONICS: Self-Powered

- 100% solid state automatic transfer switching circuit.
- Automatic, temperature compensating, variable rate float charger, 24 hour recharge.
- Solid state disconnect circuit protects DC output from short circuit, overload and surges; automatically resets.
- Brownout monitor activates unit at preset low AC voltage.
- Push to test switch.
- AC ready light.

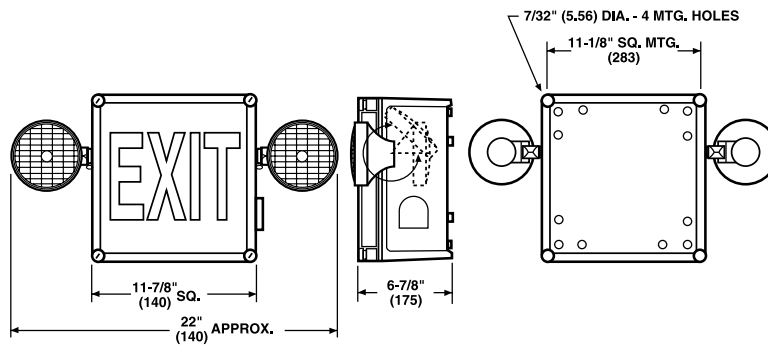
LISTING

- Listed Wet Location.

Dimensions



NOTE: Heads on selected models only - see below.



G500 Catalog Numbers

AC ONLY MODELS - 120 VAC INPUT

CATALOG NUMBER	INPUT VOLTAGE	DESCRIPTION	STANDARD BATTERY	WT.
GNX-LED*	120/277	LED - AC only	n/a	6.5 lbs.
BPGNX-LED*	120/277	LED	Lead Calcium	8 lbs.
BPGNX-LED*-DEH	120/277	LED (2) 7.2 watt incandescent (DC) (-03) (side mounted heads)	Lead Calcium	11 lbs.
BPNGX-LED*	120/277	LED	Nickel-Cadmium	8 lbs.
BPNGX-LED*-DEH	120/277	LED (2) 7.2 watt incandescent (DC) (-03) (side mounted heads)	Nickel-Cadmium	11 lbs.
G500*	120VAC	(2) 15 watt incandescent (-93), AC only	none	6.5 lbs.
G501*	277 VAC	(2) 15 watt incandescent (-93), AC only	none	6.5 lbs.
G502*	120/277	(2) 15 watt incandescent (AC) (-93), (2) 5.0 watt incandescent (DC) (-25)	Lead Calcium	8 lbs.
G503*	120/277	(2) 15 watt incandescent (AC) (-93), (2) 5.0 watt incandescent (DC) (-25)	Nickel-Cadmium	8 lbs.
G504*	120/277	(2) 15 watt incandescent (AC) (-93), (2) 5.0 watt incandescent (DC) (-25), (2) 7.2 watt incandescent (DC) (-03) (side mounted heads)	Lead Calcium	11 lbs.
G505*	120/277	(2) 15 watt incandescent (AC) (-93), (2) 5.0 watt incandescent (DC) (-25), (2) 7.2 watt incandescent (DC) (-03) (side mounted heads)	Nickel-Cadmium	11 lbs.
G507*	120/277	(2) 15 watt incandescent (AC) (-93), (2) 5.0 watt incandescent (DC) (-25) 12 additional watts available for remote heads/lamps	Nickel-Cadmium	8 lbs.

*Specify Red Face (R), or Green Face (G).

Light Output*

CATALOG NO.	1-1/2 HRS.	2 HRS.	3 HRS.	4 HRS.
BPGNX-LED	N/A	N/A	N/A	4
BPNGX-LED	N/A	N/A	N/A	4
G502	10	8	5	4
G503	10	8	5	4
G504	25	19	13	10
G505	25	19	13	10
G507	25	19	13	10

*Capacity in wattage to 87 1/2% Nominal Voltage.

Guth utilizes the services of U.L. and ETL for listing products. Specifications and data are subject to change without notice.

Options

FACTORY INSTALLED

- "/220" - 220-50Hz VAC Input
- "/SW" - Special Lettered Exit Sign (specify)
- "/PLC" - Plastic Lens Cover (Food Plants)
- "/SX-7" - 5 x 7 Self Diagnostic Circuit
- "/TCH" - Thermostatically Controlled Heater (-20° F Operation with Nicad, 0° F Operation with Lead Calcium)

SX-7 Self-Diagnostic Circuit

The optional SX-7™ Self-Diagnostic circuit automatically cycles the emergency light every 25-30 days. The "SX" circuit checks for battery charging and over-charging, checks battery capacity, and reports any system malfunction. By design, the SX-7 does not activate the lighting heads, thus avoiding substantial lamp life reduction.

Project Name:

Type	Catalogue Number	Lamp	Comments

GUTH

a GENLYTE company

E 18
R7/07