

GAPA EXTRUDED ALUMINUM EXIT SIGNAGE

Low Profile Corrosion-Resistant Signage



FEATURES

- AC or self-powered
- LED or incandescent
- Extruded aluminum housing
- Wall, ceiling or end mounting
- Low voltage battery disconnect
- Brownout protection
- Remote or attached heads

BENEFITS

- Maximum battery life
- Easy installation
- Resists corrosion
- Suitable for high ambient areas

APPLICATIONS

- Offices
- Schools
- Airports
- Stores
- High ambient areas

Specifications/Features

GENERAL

- AC only or self-powered.
- EXIT sign meets NFPA, Life Safety, OSHA, NEC, local/state codes.
- Wall, ceiling, or end mount unit.
- Aluminum construction.
- Side mount lighting heads optional.
- Single face or double face versions.
- Remote capability.

CONSTRUCTION

- Heavy extruded aluminum housing (battery housing 22 gauge steel).
- Housing finished in corrosion-resistant white.
- Directional indicators provided by knockouts.
- Knockouts provided for easy installation.

LAMPS & SIGN

- AC only — two 20 watt 20T6-1/2 incandescent lamps.
- AC mode self-powered — two 15 watt 15T6.
- DC mode self-powered — two 5 watt incandescent lamps.
- PL lamp optional.
- LED light source optional.
- Red or green letters with white EXIT stencil.
- Special signage available.
- Louvered down light.
- Optional side mount lights on model GHBP High intensity PAR36 type incandescent lamps. Glass lens provides trapezoidal distributions. Lighting heads of durable "Noryl." Fully adjustable lighting heads. Also available in halogen lamps.



Series features extruded aluminum housing with corrosion-resistant finish.



Two optional fully adjustable light heads for side mount application available on select models.

ELECTRICAL

- Dual 120 or 277 VAC input on self-powered units; specify voltage on AC units.
- Long life maintenance free lead calcium battery (Optional pure lead and nickel cadmium available).
- 1-1/2 hours of light to an end of battery volt age of 87-1/2% of nominal voltage.
- Remote fixture capability available on select models.

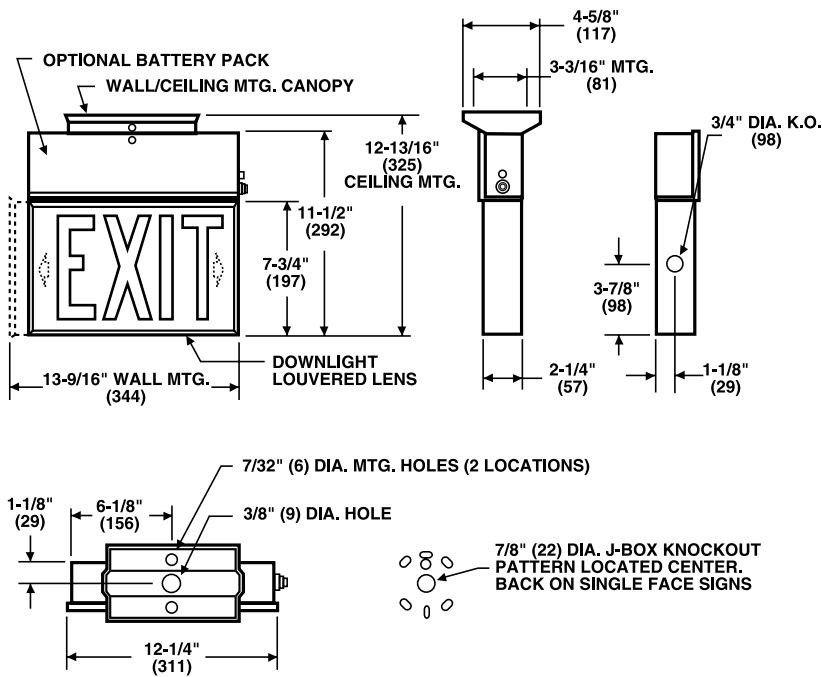
ELECTRONICS: SELF-POWERED

- 100% solid-state automatic transfer switching circuit.
- Automatic, temperature compensating, variable rate float charger; 24 hour recharge.
- Solid-state line-latched low voltage disconnect circuit guards against deep discharge of battery.
- Solid-state disconnect circuit protects DC output from short circuit, overload and surges, automatically resets.
- Brownout monitor activates unit at preset low AC voltage.
- Push to test switch.
- AC ready light.

LISTING

- U.L. Listed Damp Location (AC ONLY).

Dimensions



GAPA Catalog Numbers

AC ONLY MODELS - 120 VAC INPUT

CATALOG NO.	DESCRIPTION	WT.	STANDARD LAMP
GAPA-1-**-**	Single-face exit sign, no canopy, 120VAC	4 lbs.	AC: (2) 20 watt 20T-1/2 (-76) incandescent lamps
GAPA-2-**-**	Single-face exit sign, with canopy, 120VAC		
GAPA-3-**-**	Double-face exit sign, with canopy, 120VAC		
GAPA-5-**-**	Universal exit sign, 120VAC		

SELF-POWERED 6 MODELS - 120 or 277 VAC INPUT

CATALOG NO.	DESCRIPTION	WT.	STANDARD LAMP
GBP-APA-1-**-**	Self-powered exit sign, single face, no canopy	11 lbs.	AC: (2) 15 Watt 15T6-1/2 (-93) incandescent lamps DC: (2) 5.0 watt (-25) incandescent lamps
GBP-APA-2-**-**	Self-powered exit sign, single face, with canopy		
GBP-APA-3-**-**	Self-powered exit sign, double face, with canopy		
GBP-APA-5-**-**	Self-powered exit sign, universal mount		
GHBP-APA-**-**-SEH	Self-powered exit sign, universal series, high output battery pack, Single (4 watt) emergency lighting head, side mounted specify Left (L), or Right (R) mounting	17 lbs.	Side Mounted Lighting Heads 4 watt (-01) incandescent lamps
GHBP-APA-**-**-DEH	Self-powered exit sign, universal series, high output battery pack, Double 4 (watt) emergency lighting heads, side mounted	18 lbs.	

Specify: *Red (R) or Green (G) letter face
**White (W) or Black (B) painted body

Options

FIELD INSTALLED

- "/LVE-1" - 6 VDC Twin Emergency Socket & Lamp Kit
- "/LVE-2" - 12 VDC Twin Emergency Socket & Lamp Kit
- "/K277" - 277 VAC Input Conversion Kit
- "/SK-**" - 18" Stem Kit
- "/CK-**" - Universal Canopy Kit with Mounting Hardware
- "/S-BP-**" - Add-on Battery Power Pack (converts AC models to self-powered operation)

FACTORY INSTALLED

- "/B" - Black Body and Stencil
- "/BS" - Black Body with Silver Stencil
- "/IA" - Audible Intermittent Alarm
- "/IV" - Visual Intermittent Alarm
- "/FA" - Fire Alarm Control Panel Interface
- "/1CF7" - Single 7 Watt PL Style Fluorescent Lamp - 120 VAC
- "/2CF7" - Double 7 Watt PL Style Fluorescent Lamps - 120 VAC
- "/1CF7-277" - Single 7 Watt PL Style Fluorescent Lamp - 277 VAC
- "/2CF7-277" - Double 7 Watt PL Style Fluorescent Lamps - 277 VAC
- "/82" - Long-Life 20 Watt AC Lamp Substitution
- "/220" - 220-50 Hz VAC Input
- "/SX" - SX-7 Self-Diagnostic Circuit
- "/GBPN" - Nickel Cadmium Battery Substitute (GBPN-APA Models)
- "/GHBP" - Nickel Cadmium Battery Substitute (GHBP-APA Models)
- "/SW" - Special Lettered Exit Sign (specify)
- "/GBPP" - Pure Lead Battery Substitution (GBPP-APA Models)
- "/GHBPP" - Pure Lead Battery Substitution (GHBPP-APA Models)
- "/LED" - LED Light Source

Project Name:

Type	Catalogue Number	Comments