

WX-WET LOCATION EXIT SERIES

Architectural Wrap-Around Design



FEATURES

- AC or self-powered
- Wall, end or ceiling mount
- Incandescent, fluorescent or LED
- Low voltage battery disconnect
- Choice of batteries
- Sturdy injection molded thermoplastic housing

BENEFITS

- Maximum battery life
- Easy installation
- Resists corrosion
- Easily cleaned
- Resists abuse
- Double-face signage
- Versatile usage

APPLICATIONS

- Food processing
- Parking garages
- Schools
- Stairwells
- Outdoors
- Wet and corrosive areas
- Hot or cold areas

Specifications/Features

GENERAL

- AC only or self-powered.
- Exit sign meets NFPA Life Safety, OSHA, NEC, local and state codes.
- Wall, ceiling or end mount units.
- Single-face or double-face versions.

CONSTRUCTION

- 18 ga. white steel housing encased by an injection molded thermoplastic housing.
- Wrap-around design.
- Recessed tamper-proof fasteners.
- End knockouts for through-wire conduit.

LAMPS & SIGN

- AC mode – two 15W T6 1/2 incandescent.
- PL lamp optional.
- Four watt LED light source optional.
- Red or green letters.

ELECTRICAL

- Dual 120 or 277 VAC input on self-powered unit, specify voltage on AC unit.
- Long life maintenance-free lead calcium, pure lead or nickel cadmium batteries for DC lamp operation.
- 1-1/2 hours of light to an end battery voltage of 87-1/2% of nominal voltage.



Back wall mount.



End wall mount.

- AC ready light.
- AC lockout feature.

ELECTRONICS: SELF-POWERED

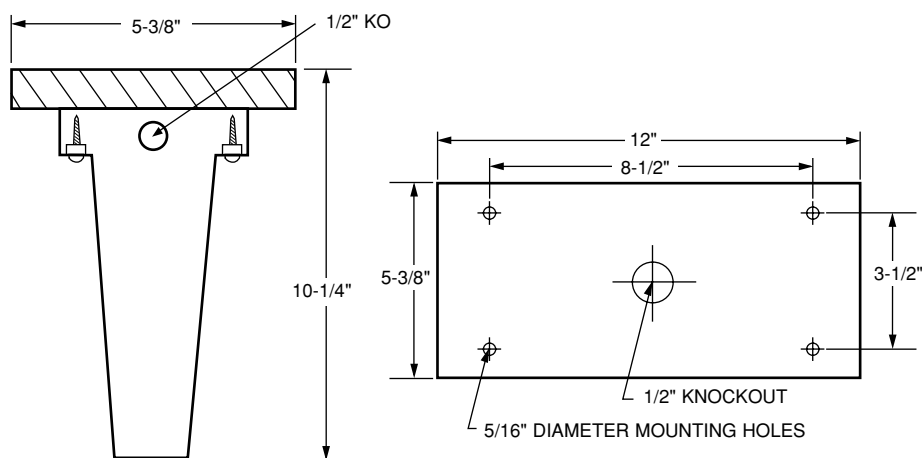
- 100% solid-state switching circuit.
- Solid-state charging unit.
- Solid-state line-latch low voltage disconnect circuit guards against deep discharge of battery.
- Momentary test switch.

LISTINGS

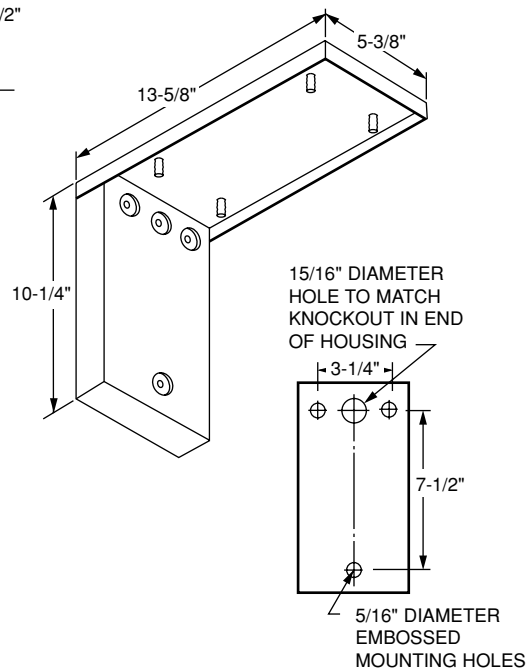
- Listed UL 924.
- Wet location.

Dimensions

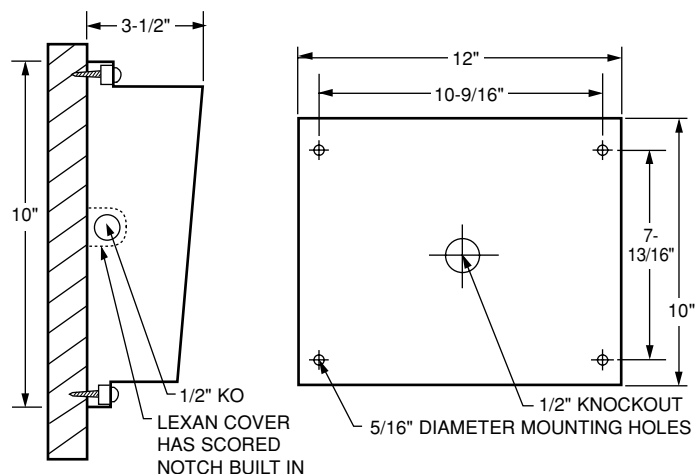
CEILING/END WALL MOUNTED



END WALL BRACKET



WALL MOUNTED



WX Catalog Numbers

WX - 215T6 - G - 1F - W - 120

OPERATION

WX - AC only
 BPWX - Self-powered lead calcium
 BPPWX - Self-powered pure lead
 BPNWX - Self-powered nickel cadmium

LAMPS

215T6 - (2) 15W T6
 1/2 Candelabra base
 2PL7 - 7W PL (G23d base)
 LED - 4 Watts

PANEL COLOR

G - Green letters, white background
 R - Red letters, white background

VOLTAGE
 AC only
 120 - 120V
 277 - 277V

MOUNTING

W - Back wall mount ④
 T - Ceiling mount
 E - End wall mount

TYPE

1F - Single-face
 2F - Double-face

Options

"/FA" - Fire alarm interface ①
 "/DW" - Downlight
 "/SX" - Self diagnostics
 "/IA" - Intermittent audio alarm ②
 "/IV" - Intermittent visual alarm ① ②
 "/LVE" - Low voltage emergency lamp ③, specify lamp voltage: 6, 12, or 24 VDC
 "/SW" - Special wording

- ① Not available with fluorescent lamp source
- ② Available with self-powered exits only
- ③ Not available in LED sign
- ④ Single-face only

Guth utilized the services of U.L. and ETL for listing products. Specifications and data are subject to change without notice.

GUTH
 A DIVISION OF JJI LIGHTING GROUP, INC.

E 26.1
 R4/00