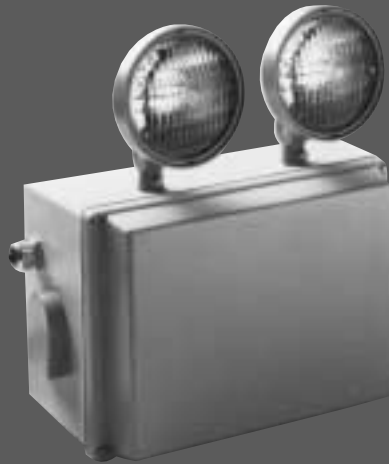


GNX HOSEDOWN EMERGENCY LIGHTS

For Food Processing and Corrosive Areas



FEATURES

- NEMA 4X housing
- One-way battery vent
- Optional plastic lens cover
- 100 watt capacity
- Low voltage battery disconnect
- Self diagnostic option
- Optional heater

BENEFITS

- Corrosion resistant
- Sheds water
- Meet NSF1 requirements
- Uses remote lamps
- Long life
- Reliable operation
- Low temperature operation

APPLICATIONS

- Food processing
- Industrial plants
- Corrosive areas
- Chemical plants
- Water treatment plants
- Seacoast areas
- Pharmaceutical plants

Specifications/Features

GENERAL

- Emergency egress lighting fixture utilizing flood light design.
- 6 or 12 volt units.
- Designed to meet NFPA Life Safety, OSHA, NEC, local and state codes.
- Wall mount design for use in non-hazardous, corrosive, dusty, wet or washdown locations.

CONSTRUCTION

- High impact corrosion resistant thermoplastic body and cover.
- Hinged door; captive screws.
- Neoprene gasketed door.
- One-way battery vent.
- Industrial gray color molded in.
- Removable non-metallic mounting flanges included.

LAMPS & LENS

- High intensity PAR 36 sealed beam lamps; also available in halogen lamp.
- Lighting heads are sealed and gasketed.
- Use "PLC" plastic lens cover for food facilities.

ELECTRICAL

- Dual 120 or 277 VAC input.
- Long life maintenance free lead calcium battery (optional pure lead and nickel cadmium available).
- 1-1/2 hours of light to an end battery voltage of 87-1/2% of nominal voltage.



Housing molded from high impact thermal plastic with excellent moisture and chemical resistance.



Par 36 lamps provide high intensity. Use "PLC" lens cover for food plants.

- Remote fixtures available on selected models.

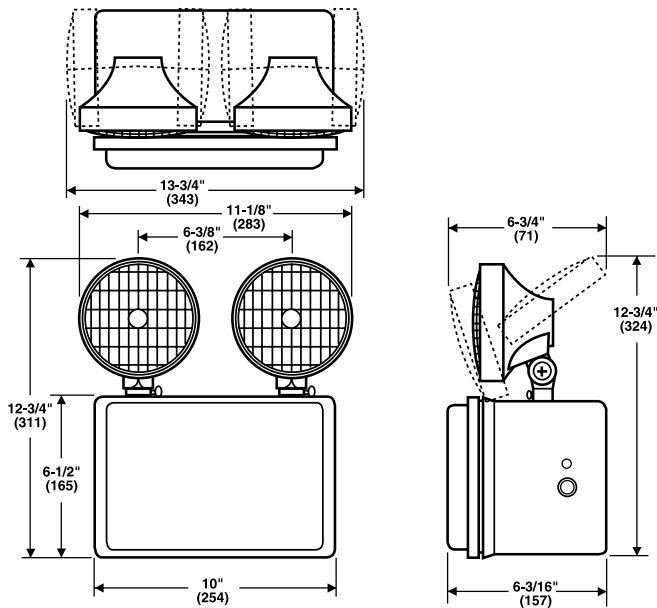
ELECTRONICS

- Automatic transfer switching circuit.
- Automatic, temperature compensating, variable rate float charger, 24 hour recharge.
- Solid-state line-latched low voltage disconnect circuit guards against deep discharge of battery.
- Disconnect circuit protects DC output from short circuit, overload and surges.
- Brownout monitor activates unit at preset low AC voltage.
- Self diagnostic "SX" circuit tests system monthly per NFPA requirements.
- Thermally controlled heater for -20° F optional.

LISTING

- U.L. Listed Wet Location.

Dimensions



Model GNX3

MODEL NO.	DIMENSIONS*
GNX-3	6-3/16"D x 10"W x 12-3/4"H
GNX-5	6-3/16"D x 10"W x 12-3/4"H
GNX-7	7"D x 12"W x 14"H
GNX-9	7"D x 12"W x 14"H
GNX-11	7-3/4"D x 14"W x 16"H
G12NX-12	7"D x 12"W x 14"H
G12NX-14	7"D x 12"W x 14"H
G12NX-16	7-3/4"D x 14"W x 16"H
G12NX-18	7-3/4"D x 14"W x 16"H

* Includes lamp heads.

GNX Catalog Numbers

CATALOG NO.	VOLTS	WATTS	WT.	STANDARD LAMP
GNX-3	6	16	12 lbs.	7.2 watts incandescent (-10) (each head)
GNX-5	6	26	13 lbs.	
GNX-7	6	30	17 lbs.	
GNX-9	6	50	23 lbs.	
GNX-11	6	72	30 lbs.	
G12NX-12	12	30	23 lbs.	12 watts incandescent (-59) (each head)
G12NX-14	12	50	24 lbs.	
G12NX-16	12	86	28 lbs.	
G12NX-18	12	100	32 lbs.	

Light Output*

CATALOG NO.	1-1/2 HRS.	2 HRS.	3 HRS.	4 HRS.
GNX-3	15	14	13	9
GNX-5	25	20	15	12
GNX-7	30	22	17	13
GNX-9	50	40	30	24
GNX-11	72	66	50	40
G12NX-12	30	22	17	13
G12NX-14	50	40	30	24
G12NX-16	86	67	49	36
G12NX-18	100	78	50	45

*Capacity in wattage to 87-1/2% Nominal Voltage.

Options

- "/LCW" - 3 Conductor Line Cord - Waterproof (120 VAC)
- "/TD-120" - Time Delay Monitor - 120 VAC
- "/TD-277" - Time Delay Monitor - 277 VAC
- "/220" - 220-50Hz VAC Input
- "/15" - PAR 36 Halogen Lamp Substitution (GNX-3 Thru GNX-11)
- "/63" - PAR 36 Halogen Lamp Substitution (G12NX-12 thru G12NX-18)
- "/TCH" - Thermostatically Controlled Heater (-20° F Operation with Nicad, 0° F Operation with Lead Calcium)
- "/SX" - SX-7 Self-Diagnostic Circuit
- "/GNXP" - Pure Lead Battery Substitution - GNX Models
- "/G12NXP" - Pure Lead Battery Substitution - G12NX Models
- "/GNXN" - Nickel Cadmium Battery Substitution GNX Models (except GNX-11)
- "/G12NXN" - Nickel Cadmium Battery Substitution G12NX Models (except G12NX-16, 18)
- "/PLC" - Plastic Lens Cover for Heads (For Food Plants)

Remote Fixture Capability

GNX-5 through G12NX-18 Emergency Lights provide additional battery capacity to power remote fixtures. Anytime remote fixtures are to be connected, the total lamp load (total number of bulbs times bulb wattage), of the remote fixtures and the emergency light must not exceed the 90 minute wattage rating. See pages E-14 and E-15.