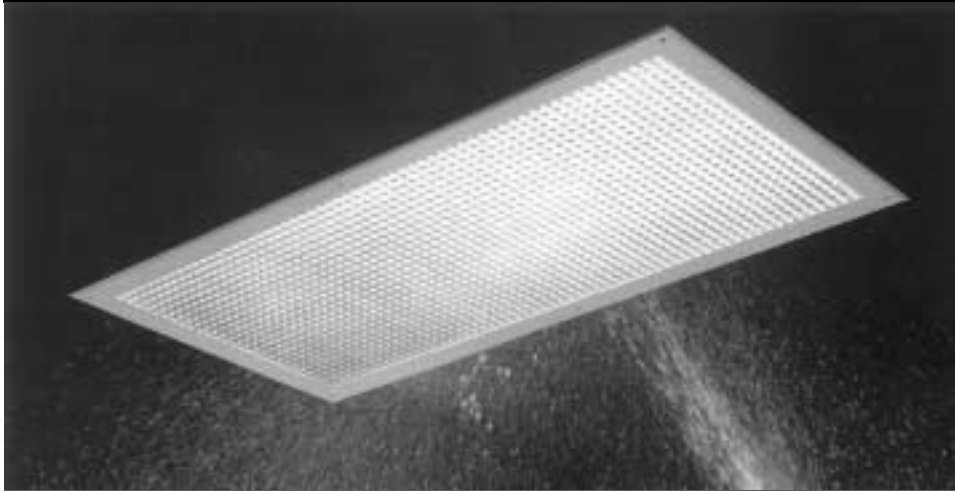


# "VISION+™" SEALED PARABOLIC LOUVER

For New Bioseal, KTR 50, 100, 200, 300, Fixtures or Retrofit



## FEATURES

- No Glare Visual Comfort
- 12% More 0-60° Lumens
- 29° Optical Shielding Angle
- Retrofits existing fixtures
- Sealed Bottom Lens
- Coated Electroplate Finish
- 1.4 Spacing Ratio

## BENEFITS

- Reduced Eye Fatigue
- Increased Worker Comfort
- Better CRT Visibility
- Increased Productivity
- Minimizes Equipment Glare
- Meets IES standards

## APPLICATIONS

- Clean Rooms
- Pharmaceutical Production
- Computer Rooms
- Food Processing
- Laboratories
- Food Services
- Wet Locations

## Specifications/Features

### GENERAL

- Factory sealed louver system.
- Suitable for KTR Kleenseal and Bioseal troffers.
- Exceeds IES/ANSI Visual Comfort Requirements.

### CONSTRUCTION

- Vacuum metalized polymer parabolic louver.
- Sealed clear acrylic bottom lens.
- Protective top coat on louver allows easy cleaning.

### ORDERING DATA

- Add "VPL" to any KTR or Bioseal catalogue number.

### RETROFIT DOOR ASSEMBLY

- Any installed Guth KTR fixtures.
- Most manufacturers overlap door fixtures - consult factory.

### OPTICAL

- 12% more light in 0-60° zone than inverted lens.
- 29° optical shielding angle to prevent glare.
- Visual Comfort Probability (VCP\*) exceeds 80 in most rooms.
- Provides 1.4 spacing ratio.
- Suitable for up to 16' mounting.
- Clear acrylic bottom lens.

### FIXTURE CLASSIFICATIONS

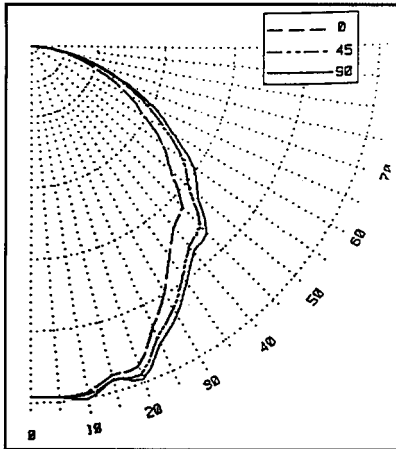
- Class 100 to 100,000 Cleanrooms.
- Damp location.
- Wet location - covered ceilings.
- 400 PSI hosedown.
- NSF international.
- Class I Division II.
- Class II Division II, Class III.

**\*Visual Comfort Probability:** System promoted by the Illumination Engineering Society of North America (IESNA) and endorsed by the American National Standards Institute (ANSI) that evaluates lighting systems in terms of the fraction of the observer population which will accept the lighting system and its environment as being comfortable. The IES/ANSI minimum recommended VCP is 70.

# Photometric Comparison

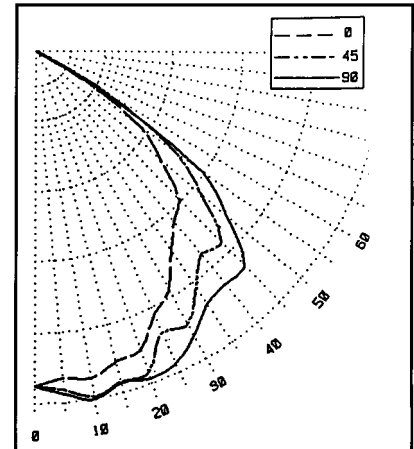
Typical Inverted Prism Troffer  
4 Lamp, 32W T-8

VERT ANG	ZONE LUMENS
0-10	320
10-20	927
20-30	1395
30-40	1630
40-50	1749
50-60	1547
60-70	1199
70-80	637
80-90	153



Vision+ Sealed Louver  
K1-244 F32G-VPL

VERT ANG	ZONE LUMENS
0-10	342
10-20	1014
20-30	1561
30-40	1890
40-50	2068
50-60	1566
60-70	105
70-80	23
80-90	13



**LUMEN SUMMARY**

ZONE	LUMENS	%LAMP	%FIXT
0-30	2642	22.4	27.6
0-40	4272	36.2	44.7
0-60	7568	64.1	79.2
60-90	1990	16.9	20.8

S/MH 1.3:1 Cross  
Total Lamp Lumens 11,400

**LUMEN SUMMARY**

ZONE	LUMENS	%LAMP	%FIXT
0-30	2918	24.7	34
0-40	4807	40.7	56
0-60	8440	71.5	98.4
60-90	141	1.2	1.6

S/MH 1.4:1 Cross  
Total Lamp Lumens 11,400

Visual Comfort Probability\* (VCP)

Visual Comfort Probability 100. FC Work Plane Illumination									
Reflectances: 80/50/20		LUMINARIES		LENGTHWISE		LUMINARIES		CROSSWISE	
ROOM	DIM	MOUNTING HEIGHT							
W	L	8.5	10	13	16	8.5	10	13	16
20	20	49	<b>56</b>	<b>68</b>	81	46	52	65	79
20	30	45	<b>49</b>	<b>55</b>	68	40	44	51	64
20	40	44	<b>46</b>	<b>50</b>	56	38	40	44	51
20	60	43	<b>45</b>	<b>47</b>	51	36	38	40	45
30	20	50	<b>56</b>	<b>65</b>	77	48	53	63	76
30	30	45	<b>48</b>	<b>52</b>	62	41	44	49	59
30	40	43	<b>45</b>	<b>47</b>	52	38	40	43	48
30	60	42	<b>43</b>	<b>44</b>	47	37	38	38	42
30	80	43	<b>43</b>	<b>43</b>	45	36	37	37	40
40	20	52	<b>57</b>	<b>65</b>	75	50	55	63	75
40	30	46	<b>49</b>	<b>52</b>	61	44	46	49	58
40	40	44	<b>45</b>	<b>46</b>	51	40	42	43	48
40	60	43	<b>43</b>	<b>43</b>	46	38	39	38	42
40	80	43	<b>43</b>	<b>42</b>	44	37	38	36	39
40	100	44	<b>44</b>	<b>42</b>	43	37	37	36	38
60	30	48	<b>50</b>	<b>52</b>	60	46	48	50	58
60	40	45	<b>46</b>	<b>46</b>	50	42	43	43	48
60	60	44	<b>44</b>	<b>42</b>	45	40	40	39	41
60	80	44	<b>44</b>	<b>41</b>	43	39	39	37	39
60	100	44	<b>44</b>	<b>41</b>	42	38	38	36	37
100	40	49	<b>50</b>	<b>49</b>	52	47	48	47	51
100	60	47	<b>47</b>	<b>45</b>	47	44	44	42	44
100	80	47	<b>46</b>	<b>43</b>	44	42	42	39	41
100	100	46	<b>46</b>	<b>42</b>	43	42	41	38	39

\* Minimum VCP of 70 for a comfortable room.

Visual Comfort Probability\* (VCP)

Visual Comfort Probability 100. FC Work Plane Illumination									
Reflectances: 80/50/20		LUMINARIES		LENGTHWISE		LUMINARIES		CROSSWISE	
ROOM	DIM	MOUNTING HEIGHT							
W	L	8.5	10	13	16	8.5	10	13	16
20	20	87	<b>80</b>	<b>73</b>	78	85	76	67	72
20	30	89	<b>83</b>	<b>78</b>	76	87	80	74	71
20	40	91	<b>85</b>	<b>82</b>	79	89	82	78	74
20	60	91	<b>87</b>	<b>84</b>	8	90	84	81	77
30	20	91	<b>85</b>	<b>75</b>	75	89	81	71	71
30	30	92	<b>87</b>	<b>80</b>	73	90	84	77	70
30	40	93	<b>89</b>	<b>84</b>	78	91	86	81	74
30	60	93	<b>90</b>	<b>86</b>	80	92	87	83	77
30	80	93	<b>90</b>	<b>87</b>	82	92	88	84	80
40	20	93	<b>88</b>	<b>80</b>	76	91	85	75	73
40	30	93	<b>90</b>	<b>84</b>	75	92	87	81	72
40	40	94	<b>91</b>	<b>86</b>	79	93	89	84	76
40	60	94	<b>91</b>	<b>88</b>	82	93	89	86	79
40	80	94	<b>92</b>	<b>89</b>	83	93	90	87	81
40	100	94	<b>92</b>	<b>90</b>	85	93	90	88	83
60	30	94	<b>91</b>	<b>86</b>	78	93	89	83	76
60	40	95	<b>92</b>	<b>88</b>	82	94	90	86	79
60	60	95	<b>92</b>	<b>90</b>	84	94	91	88	82
60	80	95	<b>93</b>	<b>90</b>	85	94	91	89	83
60	100	95	<b>93</b>	<b>91</b>	86	94	91	89	85
100	40	96	<b>94</b>	<b>91</b>	86	95	92	89	84
100	60	95	<b>94</b>	<b>92</b>	87	95	93	90	85
100	80	95	<b>94</b>	<b>92</b>	88	95	93	91	87
100	100	95	<b>94</b>	<b>92</b>	89	95	93	91	88

Guth utilized the services of U.L. and ETL for listing products. Specifications and data are subject to change without notice.

# AEROFLOW BASIC

## Economical Flow-Thru Troffer Combines With HEPA Filters



### FEATURES

- Accommodates 42" & 48" HEPA filter
- Fits 1", 1-1/2" or 2" grid
- Optional aluminum or stainless steel housing

### BENEFITS

- Economical cost
- Choice of ballasts
- Variety of lamp

### APPLICATIONS

- Pharmaceutical, electronic, portable cleanrooms
- Air wash entries
- Electronic assembly

## Specifications/Features

### GENERAL

- Available in 2 x 4 grid housing for laminar airflow applications.
- Integral formed frame above fixture accommodates both 48" or 42" HEPA filter sizes (please specify size).
- Full length formed individual lamp reflectors for improved photometric performance with HEPA filter.
- Accommodates all standard tee grid sizes: 1", 1-1/2", and 2" (please specify size).

### CONSTRUCTION

- Hole free, 20 gauge CRS housing, features lapped and silicone sealed seams and end plates to preserve the integrity of airflow.
- Features concealed pin hinges and captive round head stainless steel Phillips head screws to enhance ease of installation and maintenance, and to secure one piece, 18 gauge CRS door frame to housing.
- Optional stainless steel housing with brushed door frame or white painted aluminum housing with painted door frame available.
- Housing and door frame finished in white baked enamel.
- Door to housing and housing to grid tee interface sealed with closed cell neoprene gasket; closed cell silicone available.

### LENS

- The white 1/2" cube, molded acrylic louver — which furnishes lamp and HEPA filter protection, reduces ceiling brightness, and contributes to improved airflow — is secured in the door frame by a continuous retaining structure.
- Other louver options available — please consult factory. (Maximum louver thickness is .500".)

### ELECTRICAL

- HPF electronic ballasts standard
- Emergency battery pack available — please see caution on next page.
- RFI filtering available.
- All fixtures carry the IBEW Union label to ensure quality.

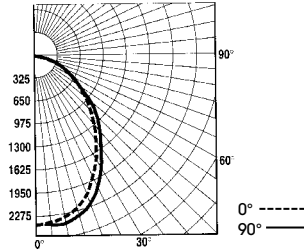
### LISTINGS

- Listed for U.S. and Canada.

# Photometrics

Coefficients of Utilization  
4 Lamp, 32W T-8, AB1G84F32-13CA1

Ceiling Refl.	80%			50%			10%		
	50	30	10	50	30	10	50	30	10
RCR 20% Effective Floor Cavity Reflectance									
1	.45	.44	.42	.42	.41	.40	.39	.39	.38
2	.40	.38	.36	.38	.36	.35	.36	.34	.33
3	.36	.33	.31	.34	.32	.30	.32	.31	.29
4	.33	.29	.27	.31	.28	.26	.29	.27	.26
5	.29	.26	.23	.28	.25	.23	.26	.24	.22
6	.27	.23	.21	.26	.23	.20	.24	.22	.20
7	.24	.21	.18	.23	.20	.18	.22	.20	.18
8	.22	.18	.16	.21	.18	.16	.20	.18	.16
9	.20	.16	.14	.19	.16	.14	.18	.16	.14
10	.18	.15	.13	.17	.14	.13	.17	.14	.12

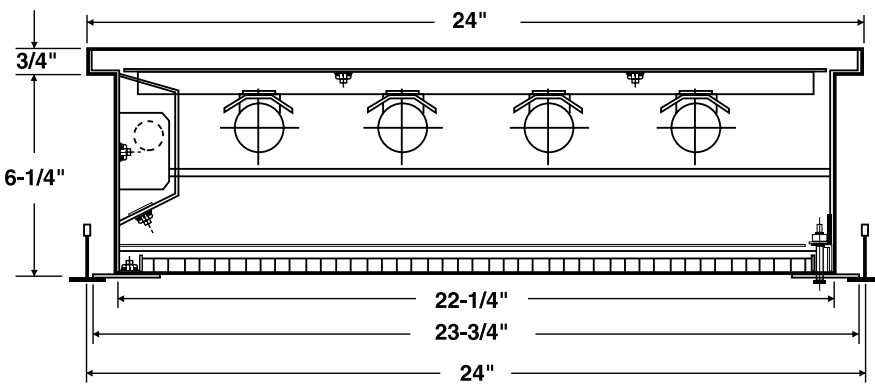


S/MH Ratio 1.1 Cross  
Total Lamp Lumens 2,850  
Fixture Efficiency 42.3%

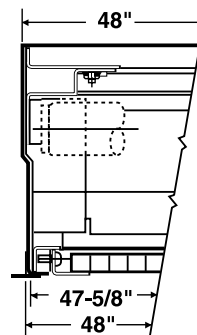
Report No.  
P11451B

# Dimensions

CROSS SECTION



END SECTION



# Aeroflow Basic Catalog Numbers

**AB1 G 8 - 2F32 13 CA 1**

**SIZE**  
1 - 1 or 1-1/2" Grid Tee  
2 - 2" Grid Tee

**MOUNTING**  
G - Grid

**FILTER SIZE**  
2 - 42 Inch  
8 - 48 Inch

**NUMBER OF LAMPS**  
2 - 2 Lamp  
3 - 3 Lamp  
4 - 4 Lamp

**LAMP TYPE**  
F32 - F32T8

**VOLTAGE**  
1 - 120V  
2 - 277V

**LENS**  
CA - White 1/2"  
Cubed Acrylic.  
Maximum lens  
thickness .500".  
Consult factory for  
other lens options

**DOOR FRAME**  
13 - CRS 1 Piece Flush White  
14 - Aluminum 1 Piece Flush White  
15 - Stainless Steel 1 Piece Flush

# Options

- "/SSH" - Stainless Steel Housing
- "/ALM" - White Aluminum Housing
- "/BEF" - Emergency Lighting Battery Pack
- "/FF" - GLR Fixture Fuse
- "/SFF" - GMF Slow Blow Fuse
- "/RIF" - Radio Interference Filter
- "/2EB" - 2 Electronic Ballasts
- "/RB-BEF" - Remote Battery System  
(See page E 12 in your catalog)
- "/SG" - Closed Cell Silicone Sponge Gasketing

Project Name:

Type	Catalogue Number	Comments

Guth utilized the services of U.L. and ETL for listing products.  
Specifications and data are subject to change without notice.