

STEELTITE™ 4 FT. FLUORESCENT

For Food Processing, Marine and Hazardous Areas



FEATURES

- Highest lumen package
- Seamwelded stainless steel housing (CRS optional)
- UL595 Outdoor Marine
- Listed for hazardous locations
- NSF International

BENEFITS

- Withstands corrosive environments
- Smooth body design stays clean
- Requires less fixtures

APPLICATIONS

- Food processing
- Cosmetics manufacturing
- Chemical plants
- Petrochemical
- Dairy industry
- Salt water environment
- Waste water treatment

Specifications/Features

GENERAL

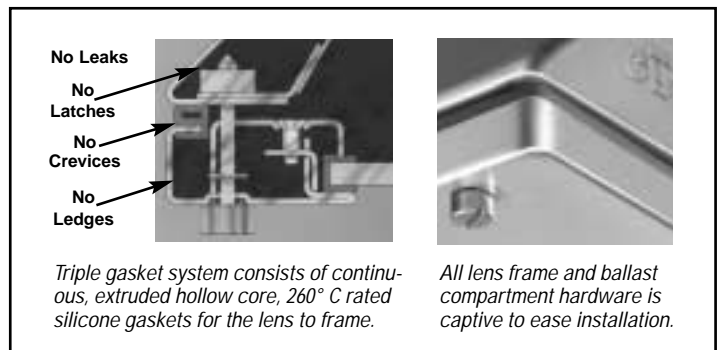
- Housing and lens frame are built in such a way that there are no crevices, ledges or latches which could harbor environmental or biological contaminants. Especially suited to sanitary environments such as those found in the food and beverage processing industry.
- The fixture may be cleaned easily with a simple wipe down or hose down.
- Fixture may be hosed down with 150 lbs./sq. in. water pressure from a 3/8" streaming nozzle at 10 ft. from any direction without leaking.
- Available in CRS or 304L and 316L grades stainless for excellent resistance to corrosion.
- Completely seam-welded construction.

CONSTRUCTION

- Built of 18 ga. CRS, 304L stainless or 316L stainless as specified.
- All seams are continuously welded to ensure an impervious seal.
- CRS and 304L stainless units supplied with 3/4" cast zinc conduit hub. 316L stainless units supplied with machined, 3/4" stainless steel hubs for the ultimate in corrosion resistance.

DOOR FRAME/LENS

- Lens frame forms an air-tight seal with the housing. Note that the fixture uses open conduit as the means to relieve pressure build-up on the inside during lamp cycling.
- The lens frame is secured to housing by 10 stainless captive screws.
- Screws clamp lens frame to housing with over 20 lbs. of force per linear inch when tightened to 15 in./lbs. of torque.



- All gaskets around lens frame of low-compliance high temperature silicone.
- Lens frame screws are sealed with fluorocarbon captive O-ring gaskets.
- 3/16" Clear Tempered Glass. Polycarbonate and Acrylic optional.

LISTINGS

- UL 844 Class 1, Division 2, Groups A,B,C and D; Class 2, Division 2, Group G; Class 3. C1 Temperature code is T3C, C2 is T6.
- NSF International.
- UL 595 Marine Outdoor.
- 25°C listed in USA and Canada.

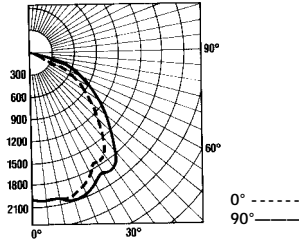
ELECTRICAL

- Ballast are Class P and appropriate to specified lamp and voltage.
- 3/4" conduit hubs installed for power feed.
- All fixtures carry the IBEW Union label to ensure quality.

Photometrics

Coefficients of Utilization
3 Lamp, 40W Fluorescent ST6-4G3F41-1

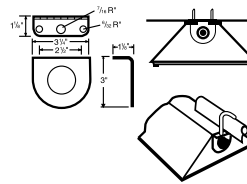
Ceiling Refl.	80%			50%			10%		
Wall Refl.	50	30	10	50	30	10	50	30	10
RCR	20% Effective Floor Cavity Reflectance								
1	.67	.65	.63	.63	.61	.60	.59	.57	.56
2	.60	.56	.52	.56	.53	.51	.52	.50	.48
3	.53	.48	.44	.50	.46	.43	.47	.44	.42
4	.47	.42	.38	.45	.40	.37	.42	.39	.36
5	.42	.36	.32	.39	.35	.32	.37	.34	.31
6	.37	.32	.28	.35	.31	.27	.33	.30	.27
7	.33	.28	.24	.32	.27	.24	.30	.26	.23
8	.30	.24	.21	.28	.24	.21	.27	.23	.20
9	.27	.21	.18	.26	.21	.18	.24	.20	.17
10	.24	.19	.16	.24	.19	.16	.22	.18	.15



Report No.
P114288

S/MH Ratio 1.5:1
Total Lamp Lumens 9,600
Fixture Efficiency 63.4%

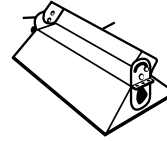
DIRECT TO CEILING MOUNT "-MB"



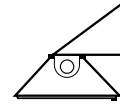
ADJUSTABLE BRACKETS KIT "-MB"



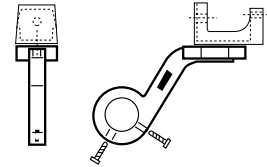
YOKE MOUNT KIT "-MBYM"



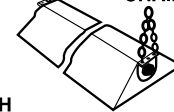
WALLMOUNT "/MB90"



BEAM CLAMP ADAPTOR /BMA



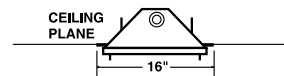
STEM MOUNT KIT "-MBSM"



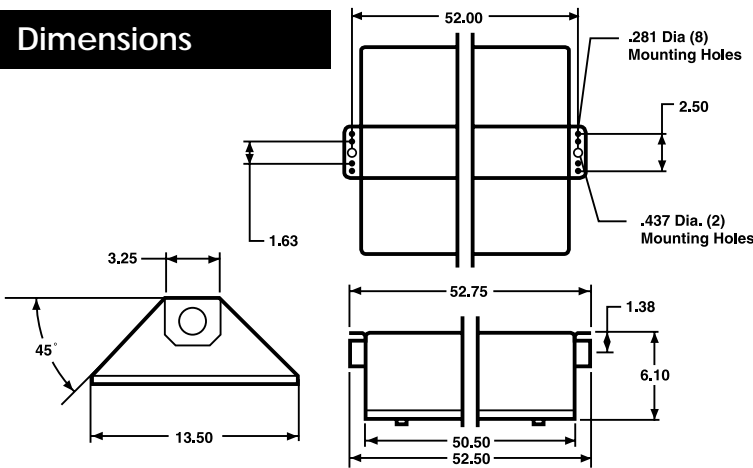
CHAIN MOUNT KIT "-MBCM"



FLUSH RECESSED MOUNT "/FR"



Dimensions



Steeltite™ 4 Ft. Catalog Numbers

ST6 4 G 3 F4 2 - 1

CONSTRUCTION

6 - 316 Stainless Steel
4 - 304 Stainless Steel
P - Painted Cold Rolled Steel

LENGTH

4' Nominal - (see illustrations for exact dimensions)

LENS TYPE

G - 3/16" Tempered Glass
P - 3/16" Polycarbonate
A - 3/16" Acrylic

VOLTAGE

1 - 120
2 - 277

BALLAST

2 - 2 ballasts
1 - 1 ballast

LAMP TYPE

F32 - 32 watt T8
F4 - 40 watt 430MA
F6 - 60 watt 800MA

NO. OF LAMPS

2 - 2
3 - 3

Options

- "/FF" - Fast acting fixture fuse, Buss GLR
- "/SFF" - Slow Blow (Fusetron) Fuse, Buss, GMF
- "/0/Deg." - 0 Deg. Operation on 430MA Unit
- "/ES" - Energy Saving Ballast on 800 MA Unit
- "/BCA" - Beam Clamp Adapter**
- "/MB" - Direct Ceiling Mount**
- "/MBYM" - Yoke Mount Kit**
- "/MBAB" - Adjustable Brackets Kit**
- "/MBSM" - Stem Mount (includes 36" Stainless Steel Stems)
- "/MBCM" - Chain Mount (includes 2 Stainless Steel Brackets and 26" Chains)
- "/MB90" - Wall Mount
- "/FR" - Flange Recessed Mount*

* FLANGE MOUNT NOT AVAILABLE ON 800 MA UNITS.

** MARINE LISTING REQUIRES ONE OF THESE MOUNTING METHODS.

NOTE: HAZARDOUS LISTING WITH CONDUIT MOUNTING ONLY.

ALL STELTITE INCLUDE HUBS SUITABLE FOR CONDUIT MOUNTING.

Guth utilizes the services of U.L. and ETL for listing products.
Specifications and data are subject to change without notice.



F 15
R1/03

A DIVISION OF JJI LIGHTING GROUP, INC.