

SLIMLUX 1' & 2' WIDE

Sealed Surface Mount Fluorescent For Wet Locations



FEATURES

- Surface-mounted
- Sealed CRS housing
- Wet location listed
- NSF International
- Sealed flush door frame
- Low pressure hosedown
- "Vision+" sealed louver

BENEFITS

- Requires less fixtures
- Resists abuse
- Stays clean
- Glare free optics

APPLICATIONS

- Kitchens
- Lockers
- Food processing
- Cleanrooms
- Parking garages
- Canopies

Specifications/Features

GENERAL

- Surface-mounted sealed fluorescent fixture with reinforced housing for reliable seal in the ceiling-to-fixture joint.
- Available in 2 x 4 and 1 x 4 sizes.

CONSTRUCTION

- Housing sides of 20 ga. CRS finished in baked white powder coat.
- Roll-formed 18 ga. ribbed panels form back of unit. These ribbed panels form a rigid frame which, when bolted to the ceiling, pulls the perimeter of the housing tightly to the ceiling. This tight fit allows the installer to easily seal the housing perimeter to the ceiling with caulk.

DOOR FRAME/LENS

- Standard lens is 1/8" prismatic acrylic P-12. Many other lenses are available, consult Guth Representative.
- Lens sealed in heavy duty, rigid, aluminum extrusion door frame with silicone adhesive.
- Door frame finished in baked white powder coat or optional satin anodizing.
- Door frame clamped to body by six (6) captive stainless steel screws and sealed to housing with a closed-cell, cross-link, polyethylene gasket to prevent the harboring or production of any contaminants within the gasket.
- Door frame supported by safety chains during relamping.



Stainless screws draw door frame tight. Fasteners are captive and frame is supported by chains.



Lens hermetically sealed in extruded door frame.

- Optional "Vision+" parabolic louver has a clear acrylic underlay to provide a sealed door assembly. Eliminates direct glare on computer screens and meets IES/ANSI human visual comfort standards. Increases 0-60 degree efficiency 12%. Eliminates light above 60 degrees. Choose VPL option. (See VPL Data sheet)

LISTINGS

- Listed, "Suitable for Wet Locations Covered Ceiling Only."
- NSF International.
- Listed in USA and Canada.

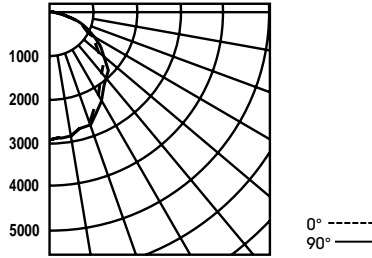
ELECTRICAL

- T8: Electronic, IS, 0°F, 10% THD.
- T5: Electronic, PS, 0°F, 10% THD.
- All fixtures carry the IBEW Union label to ensure quality.

Photometrics

Coefficients of Utilization
4 Lamp, F32T8 Fluorescent TAK-6835/120

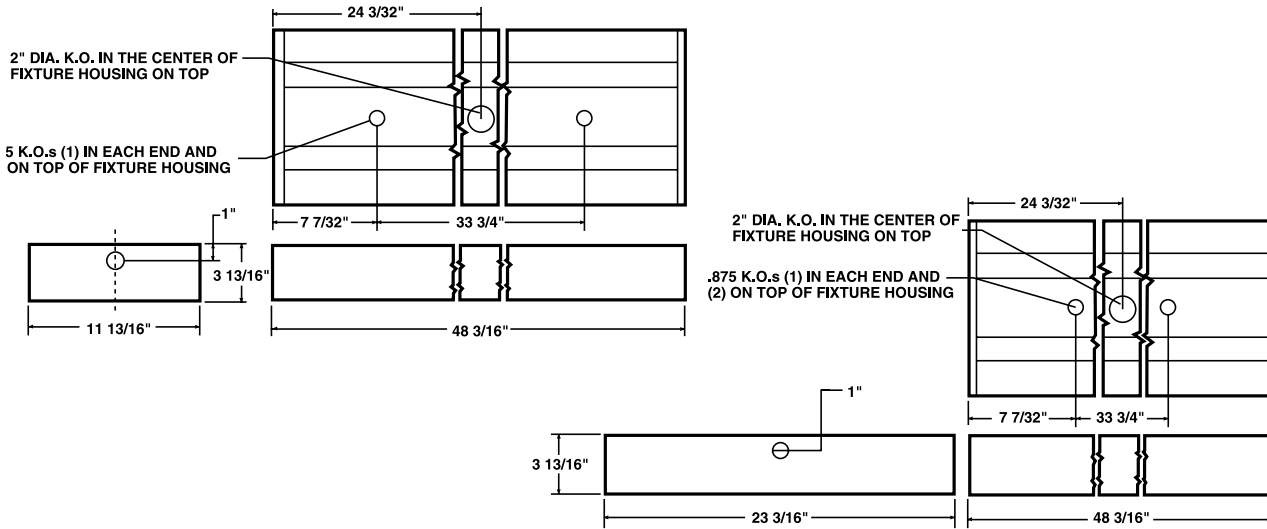
Ceiling Refl.	80%			50%		
	50	30	10	50	30	10
Wall Refl.	20% Effective Floor Cavity Reflectance					
RCR						
0	.78	.78	.78	.73	.73	.73
1	.68	.66	.63	.64	.62	.60
2	.60	.55	.52	.56	.53	.50
3	.53	.47	.43	.50	.45	.42
4	.47	.41	.37	.44	.40	.36
5	.42	.36	.32	.40	.35	.31
6	.38	.32	.28	.36	.31	.27
7	.34	.29	.25	.33	.28	.24
8	.31	.26	.22	.30	.25	.22
9	.29	.23	.20	.28	.23	.20
10	.27	.21	.18	.26	.21	.18



S/MH Ratio 1.2:1
Total Lamp Lumens 12,000
Fixture Efficiency 65.4%

Report No.
P10606

Dimensions



Slimlux Catalog Numbers

Catalog Number	Description
TAK6830/120	1' x 4', 2 Lt, 32W, .125 Acrylic Prismatic
TAK6831/120	1' x 4', 3 Lt, 32W, .125 Acrylic Prismatic
TAK6833/120	2' x 4', 2 Lt, 32W, .125 Acrylic Prismatic
TAK6834/120	2' x 4', 3 Lt, 32W, .125 Acrylic Prismatic
TAK6835/120	2' x 4', 4 Lt, 32W, .125 Acrylic Prismatic
TAK6850/120	1' x 4', 2 Lt, 54W, .125 Acrylic Prismatic
TAK6853/120	2' x 4', 2 Lt, 54W, .125 Acrylic Prismatic
TAK6854/120	2' x 4', 3 Lt, 54W, .125 Acrylic Prismatic
TAK6855/120	2' x 4', 4 Lt, 54W, .125 Acrylic Prismatic

Options

- "/SFF" - Slow Blow (Fusetron) Fuse, Buss GMF
- "/AA" - Anodized Aluminum Door
- "/TP" - Tamper Proof Screws
- "/UP" - Lens furnished with smooth side out
- "/BEF" - Battery Operated Emergency System (Bodine B70)
— NOT U.L. LABELED FOR WET LOCATION
- "/VPL" - "Vision+" Sealed Parabolic Louver
- "/-20° F" - -20° F Starting

Project Name:

Type	Catalogue Number	Lamp	Comments

Guth utilized the services of U.L. and ETL for listing products. Specifications and data are subject to change without notice.