

# 2-IN-1 BRACKET

## Versatile, Sealed Fluorescent Wall Bracket For Wet Locations



### FEATURES

- Corner mounting
- Sealed housing
- Wet location
- Low pressure hosedown
- One piece sealed door
- Up or down lighting

### BENEFITS

- Resists abuse
- Stays clean
- Requires less fixtures

### APPLICATIONS

- Cleanrooms
- Showers
- Stairwells
- Outdoor covers
- Pedestrian tunnels
- Facade lighting

## Specifications/Features

### GENERAL

- Both 2' and 4' lengths.
- Sealed body is barrier to particle migration.

### CONSTRUCTION

- 20 ga. CRS body with baked white powder coat or optional 304 stainless steel body.
- All exposed joints are hermetically sealed with silicone cement.
- Design permits projecting light up or down from wall mounting.

### DOOR FRAME/LENS

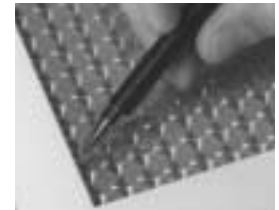
- Standard lens is .125" clear prismatic acrylic, P-12 pattern, with prisms in. Other lenses are available, consult Guth representative.
- Lens is hermetically sealed in heavy duty door frame with silicone cement.
- Door frame clamped to body by captive stainless steel screws, and sealed to housing with a closed-cell, crosslink, polyethylene gasket to prevent the harboring or production of any contaminants within the gasket.
- Door frame supported by safety chains during relamping.

### LISTINGS

- Listed, "Suitable for Wet Location."
- Listed in U.S.A. and Canada.



*Stainless steel screws draw door frame tight. Fasteners are captive and frame is supported by chains.*



*Lens hermetically sealed in door frame is sealed to housing with closed cell polyethylene gasket.*

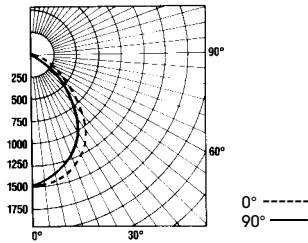
### ELECTRICAL

- HPF electronic ballast standard for T8 lamps.
- Ballasts are Class P Trigger Start for 2' units, and Energy Saving Rapid Start for 4' units; secured in channel by no-loss, no-turn studs.
- All fixtures carry the IBEW Union label to ensure quality.

# Photometrics

Coefficients of Utilization  
2 Lamp, 40W Fluorescent TAK6281/120/FG

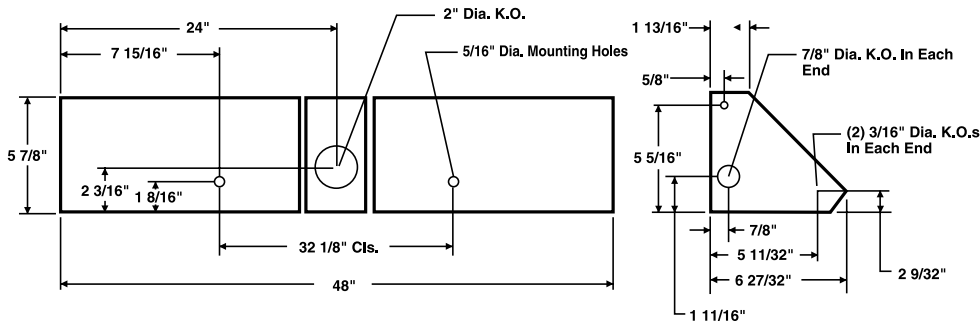
Ceiling Refl.	80%			50%			10%		
Wall Refl.	50	30	10	50	30	10	50	30	10
RCR	20% Effective Floor Cavity Reflectance								
1	.54	.52	.51	.50	.49	.48	.47	.46	.45
2	.48	.45	.43	.45	.43	.41	.42	.40	.39
3	.43	.39	.36	.40	.38	.35	.38	.36	.34
4	.38	.34	.31	.37	.33	.31	.34	.32	.30
5	.35	.31	.28	.33	.30	.27	.31	.29	.27
6	.32	.28	.24	.30	.27	.24	.29	.26	.24
7	.29	.25	.22	.28	.24	.22	.27	.24	.21
8	.27	.23	.20	.26	.22	.20	.26	.22	.19
9	.25	.21	.18	.24	.20	.18	.23	.20	.18
10	.23	.19	.16	.22	.19	.16	.21	.18	.16



S/MH Ratio 1.0:1  
Total Lamp Lumens 6,300  
Fixture Efficiency 51%

Report No.  
P11319-02

# Dimensions



# 2-IN-1 Bracket Catalog Numbers

Catalog Number	Description	Total Watts
TAK6280/120/FG	1' x 2', 2 Lamp, 20W, Trigger Start Ballast	54
TAK6281/120/FG	1' x 4', 2 Lamp, 40W, 430MA Energy Saving Ballast	86
TAK6280/T8/FG	1' x 2', 2 - F17T8	30
TAK6281/T8/FG	1' x 4', 2 - F32T8	59

# Options

- "/FF" - Fast Acting Fixture Fuse, Buss GLR
- "/SFF" - Slow Blow (Fusetron) Fuse, Buss GMF
- "/0 Deg." - 0 Degree Operation on 430MA Ballast
- "/TP" - Tamper Proof Screws
- "/SS" - Brushed Stainless Steel Body
- "/UP" - Lens furnished with smooth side out
- "/SSD" - Brushed Stainless Steel Door
- "/B70" - Bodine B70
- "/B90" - Bodine B90
- "/B50" - Bodine B50
- "/T5" - Consult Factory

# Project Name:

Type	Catalogue Number	Lamp	Comments