

AEROFLOW BASIC

Economical Flow-Thru Troffer Combines With HEPA Filters



FEATURES

- Accommodates 42" & 48" HEPA filter
- Fits 1", 1-1/2" or 2" grid
- Optional aluminum or stainless steel housing

BENEFITS

- Economical cost
- Choice of ballasts
- Variety of lamp

APPLICATIONS

- Pharmaceutical, electronic, portable cleanrooms
- Air wash entries
- Electronic assembly

Specifications/Features

GENERAL

- Available in 2 x 4 grid housing for laminar airflow applications.
- Integral formed frame above fixture accommodates both 48" or 42" HEPA filter sizes (please specify size).
- Full length formed individual lamp reflectors for improved photometric performance with HEPA filter.
- Accommodates all standard tee grid sizes: 1", 1-1/2", and 2" (please specify size).

CONSTRUCTION

- Hole free, 20 gauge CRS housing, features lapped and silicone sealed seams and end plates to preserve the integrity of airflow.
- Features concealed pin hinges and captive round head stainless steel Phillips head screws to enhance ease of installation and maintenance, and to secure one piece, 18 gauge CRS door frame to housing.
- Optional stainless steel housing with brushed door frame or white painted aluminum housing with painted door frame available.
- Housing and door frame finished in white baked enamel.
- Door to housing and housing to grid tee interface sealed with closed cell neoprene gasket; closed cell silicone available.

LENS

- The white 1/2" cube, molded acrylic louver — which furnishes lamp and HEPA filter protection, reduces ceiling brightness, and contributes to improved airflow — is secured in the door frame by a continuous retaining structure.
- Other louver options available — please consult factory. (Maximum louver thickness is .500".)

ELECTRICAL

- Ballasts are Class P, HPF, Energy Saving rapid start.
- Standard electrical characteristics are 120 volt 60Hz; 277volt 60Hz is readily available. Other voltages and electrical requirements can be accommodated. Please consult factory.
- Electronic ballasts available.
- Emergency battery pack available — please see caution on next page.
- RFI filtering available.
- All fixtures carry the IBEW Union label to ensure quality.

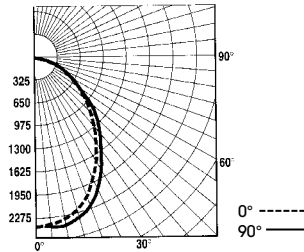
LISTINGS

- Listed fluorescent product.

Photometrics

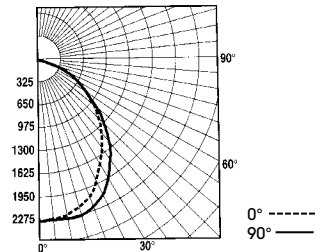
Coefficients of Utilization 4 Lamp, 32W T-8, AB1G84F32-13CA1

Ceiling Refl.	80%			50%			10%		
	50	30	10	50	30	10	50	30	10
Wall Refl.	20% Effective Floor Cavity Reflectance								
RCR									
1	.45	.44	.42	.42	.41	.40	.39	.39	.38
2	.40	.38	.36	.38	.36	.35	.36	.34	.33
3	.36	.33	.31	.34	.32	.30	.32	.31	.29
4	.33	.29	.27	.31	.28	.26	.29	.27	.26
5	.29	.26	.23	.28	.25	.23	.26	.24	.22
6	.27	.23	.21	.26	.23	.20	.24	.22	.20
7	.24	.21	.18	.23	.20	.18	.22	.20	.18
8	.22	.18	.16	.21	.18	.16	.20	.18	.16
9	.20	.16	.14	.19	.16	.14	.18	.16	.14
10	.18	.15	.13	.17	.14	.13	.17	.14	.12



Coefficients of Utilization 4 Lamp, 40W T-12, AB1G84F40-13CA1

Ceiling Refl.	80%			50%			10%		
	50	30	10	50	30	10	50	30	10
Wall Refl.	20% Effective Floor Cavity Reflectance								
RCR									
1	.41	.40	.38	.39	.38	.37	.36	.35	.34
2	.37	.34	.32	.35	.33	.31	.32	.31	.30
3	.33	.30	.28	.31	.29	.27	.29	.28	.26
4	.30	.27	.24	.28	.26	.24	.26	.25	.23
5	.26	.23	.21	.25	.23	.21	.24	.22	.20
6	.24	.21	.19	.23	.20	.18	.22	.20	.18
7	.22	.19	.16	.21	.18	.16	.20	.18	.16
8	.20	.16	.14	.19	.16	.14	.18	.16	.14
9	.18	.15	.13	.17	.14	.12	.16	.14	.12
10	.16	.13	.11	.16	.13	.11	.15	.13	.11



S/MH Ratio 1.1 Cross
Total Lamp Lumens 2,850
Fixture Efficiency 42.3%

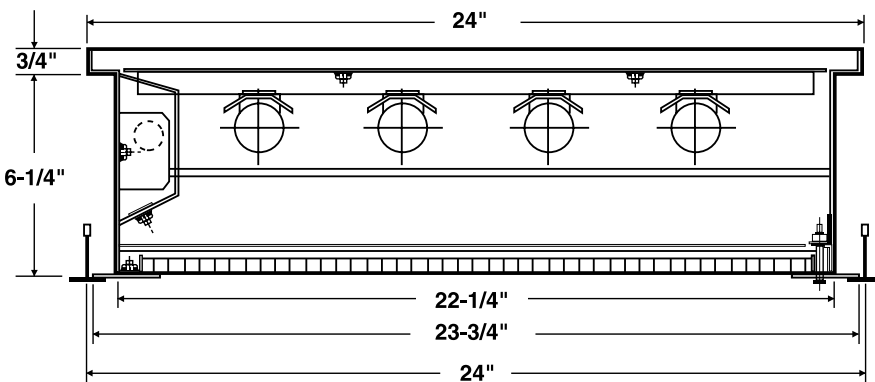
Report No.
P11451B

S/MH Ratio 1.2 Cross
Total Lamp Lumens 3,200
Fixture Efficiency 38.4%

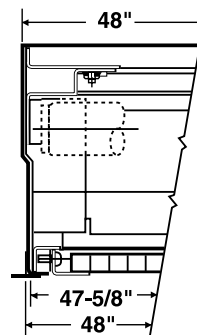
Report No.
P11451A

Dimensions

CROSS SECTION



END SECTION



Aeroflow Basic Catalog Numbers

AB1 G 8 - 2F40 13 CA 1

SIZE
1 - 1 or 1-1/2" Grid Tee
2 - 2" Grid Tee

MOUNTING
G - Grid

FILTER SIZE
2 - 42 Inch
8 - 48 Inch

NUMBER OF LAMPS
2 - 2 Lamp
3 - 3 Lamp
4 - 4 Lamp

LAMP TYPE
F40 - T12 Rapid Start 40W
F32 - T8 Octron 32W

VOLTAGE
1 - 120V
2 - 277V

LENS
CA - White 1/2"
Cubed Acrylic.
Maximum lens
thickness .500".
Consult factory for
other lens options

DOOR FRAME
13 - CRS 1 Piece Flush White
14 - Aluminum 1 Piece Flush White
15 - Stainless Steel 1 Piece Flush

Options

- "/SSH" - Stainless Steel Housing
- "/ALM" - White Aluminum Housing
- "/BEF" - *Emergency Lighting Battery Pack
- "/FF" - GLR Fixture Fuse
- "/SFF" - GMF Slow Blow Fuse
- "/RIF" - Radio Interference Filter
- "/EB" - Electronic Ballast
- "/2EB" - 2 Electronic Ballasts
- "/RB-BEF" - Remote Battery System
(See page E 12 in your catalog)
- "/SG" - Closed Cell Silicone Sponge Gasketing

*All current battery systems are designed to vent gases from the battery compartment. Guth assumes no liability for out gassing problems, and assumes that prior approval has been secured from the owner.

Project Name:

Type	Catalogue Number	Comments