

# HYLITER-WITH "VISION+" VUE-TROL OPTICS

**20% Higher Efficiency - Lowest Glare**



## FEATURES

- Patented VUE-Trol reflectors
- Up to 87% efficiency
- Two symmetric reflectors
- Asymmetric reflector
- 70% reduction in glare
- Factory pre-assembled
- 55°C listed

## BENEFITS

- Less fixtures
- Lower first cost
- Less energy
- Choice of distributions
- Increased productivity
- Low-cost installation
- Long component life

## APPLICATIONS

- Retail
- Gymnasiums
- Industrial
- Supermarkets
- Warehouses

## Specifications/Features

### GENERAL

- An affordably priced specification grade hibay of unequalled optical performance.
- Hydro-formed 18 gauge anodized reflector for demanding environments.
- Flow thru design keeps reflector clean and provides balanced uplight.

### BALLAST HOUSING

- Die cast aluminum with white powder coat finish.
- Compartmentalized design thermally isolates components.

### REFLECTOR

- VUE-Trol ribs eliminates brightness in the 60-90° viewing zone while allowing maximum efficiency.
- Optional aisle liter asymmetric reflector.
- Optional acrylic reflector.
- Hinged bottom closure for 175-250 MH.

### ELECTRICAL

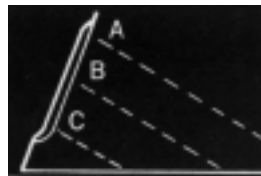
- Ballasts are CWA circuit and appropriate to lamp and voltage specified



*Vue-Trol Ribs function as a highly efficient diffuser to take the glare out of light. Patented ribs control brightness in the 60°-90° viewing zones and reduce glare up to 75% with no loss in efficiency.*



*VUE-Trol Reflector*



*Illustration shows the three test points at each angle for the footcandle readings.*

### Brightness Control Comparison

Footcandle readings in the table below are taken from the sidewalls of two identically contoured Alzak reflectors. One is spun. The other is made with Guth's VUE-Trol Ribs. Readings are taken with a Spectra Brightness Meter and demonstrate the reductions in brightness achieved with VUE-Trol ribs.

Angle From Nadir	Test Point	400W Cl. Metal Halide		400W H.P. Sodium	
		VUE-TROL	Plain	VUE-TROL	Plain
60°	A	1,389	7,011	1,537	8,550
	B	898	2,633	1,066	3,042
	C	551	1,865	810	2,260
70°	A	547	1,526	626	1,907
	B	385	720	455	960
	C	209	665	319	897
80°	A	-	-	-	-
	B	-	-	-	-
	C	123	286	241	315

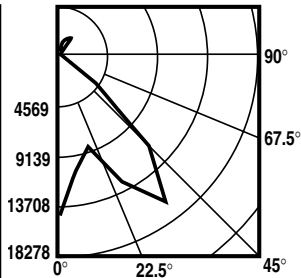
# Photometrics

## Coefficients of Utilization

1 Lamp, 400W CL MH - Medium Distribution  
HBA-15-400 MH-1

Ceiling Refl.	80%			50%			10%		
	50	30	10	50	30	10	50	30	10
Wall Refl.	50	30	10	50	30	10	50	30	10
RCR	20% Effective Floor Cavity Reflectance								
1	.92	.89	.87	.85	.83	.81	.73	.73	.73
2	.83	.78	.74	.76	.73	.70	.64	.64	.64
3	.74	.68	.64	.69	.64	.61	.56	.56	.56
4	.66	.60	.55	.62	.57	.53	.49	.49	.49
5	.60	.53	.48	.56	.50	.46	.43	.43	.43
6	.54	.47	.42	.51	.45	.41	.38	.38	.38
7	.49	.42	.37	.46	.40	.36	.33	.33	.33
8	.44	.38	.33	.42	.36	.32	.30	.30	.30
9	.41	.34	.29	.38	.33	.29	.26	.26	.26
10	.37	.31	.26	.35	.30	.26	.24	.24	.24

S/MH Ratio 1.5 to 1  
Total Lamp Lumens 40,000  
Fixture Efficiency 87%



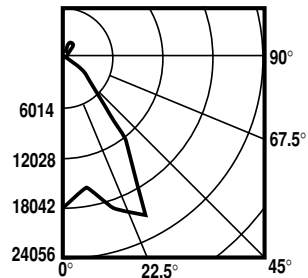
Report No. P11308-25

## Coefficients of Utilization

1 Lamp, 400W CL MH - Narrow Distribution  
HBA-18-400 MH-1

Ceiling Refl.	80%			50%			10%		
	50	30	10	50	30	10	50	30	10
Wall Refl.	50	30	10	50	30	10	50	30	10
RCR	20% Effective Floor Cavity Reflectance								
1	.91	.89	.86	.84	.82	.81	.73	.73	.73
2	.83	.79	.76	.77	.74	.72	.66	.66	.66
3	.76	.71	.67	.71	.67	.64	.59	.59	.59
4	.69	.64	.60	.65	.61	.57	.54	.54	.54
5	.64	.58	.53	.60	.55	.52	.48	.48	.48
6	.59	.53	.48	.55	.51	.47	.44	.44	.44
7	.54	.48	.44	.51	.46	.43	.40	.40	.40
8	.50	.44	.40	.48	.43	.39	.37	.37	.37
9	.46	.40	.36	.44	.39	.36	.34	.34	.34
10	.43	.37	.34	.41	.36	.33	.31	.31	.31

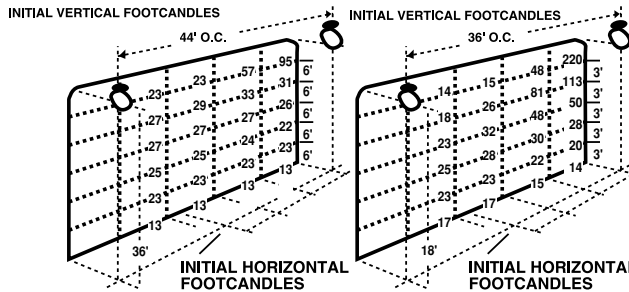
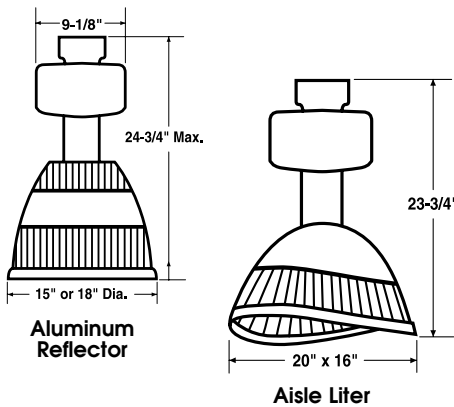
S/MH Ratio 1.1 to 1  
Total Lamp Lumens 40,000  
Fixture Efficiency 85%



Report No. P11308-26

# Dimensions/Photometrics

400W HPS Clear Lamp Mounting Height—36' to reflector bottom  
Spacing—44' oc Aisle width—5'9" Reflectances—20/50/20



CONVERSION MULTIPLIERS	
(to obtain approximate data for other lamp types and wattages, multiply factors below by footcandle data in chart.)	
AISLE-LITER MULTIPLIER	
HPS 400 Watt	1.00
HPS 250 Watt	.52
MH 400 Watt	.68

Report No. P11318-2

# Hyliter-GP® Catalog Numbers

## HBA - 15 - 175MH - 1

**REFLECTOR**  
A - Aluminum - 15", 18", 16A"  
P - Acrylic Polymer - 22"

**REFLECTOR SIZE**  
15 - 15" Aluminum  
18 - 18" Aluminum  
16A - 16" Aluminum Aisle-liter  
22 - 22" Acrylic Polymer

**VOLTAGE**  
1 - 120  
2 - 277  
3 - 347  
4 - 480  
M - Multi-Tap

**WATTAGE**  
175MH\* - 175W Metal Halide  
250MH\* - 250W Metal Halide  
250P - 250 Pulse Start M.H.  
400MH - 400W Metal Halide  
400P - 400 Pulse Start M.H.  
150HP - 150W High Pressure Sodium  
250HP - 250W High Pressure Sodium  
400HP - 400W High Pressure Sodium

\* Not Available on Aise-liter

### Available Metal Halide Distributions

LAMP	REFLECTOR	S/MH
250 CL	15"	1.6
250 CTD	15"	1.7
400 CL	15"	1.5 2.2
400 CTD	15"	1.5 1.9
400 CL	18"	1.1
400 CTD	18"	1.1

Metal Halide Note:

- Lamp manufacturers state" type E and S type lamps must be turned off for 15 minutes each week to prevent a non-passive failure"
- Type O rated lamps have no turn-off requirement. An optional pink socket will only accept O rated lamps.

# Options

- "/FF" - Fixture Fuse for 25°C Ambient Only
- "/ISL" - Instant Standby Quartz, Bayonet Base Double Contact
- "/DISL" - Delay Instant Standby Quartz
- "/IE" - Emergency Quartz Socket, 120V Only, Bayonet Base Double Contact
- "/PT" - Three Foot Pigtail
- "/LH" - Loophook
- "/LH-TLP" - Loophook, Cordset, Twis-Hock Plug
- "/LH-CS" - Loophook, Cordset w/straight Pronged Plug (120V only)
- "/WG" - Wire Guard. Available on 15" and 18" Aluminum Reflectors
- "/ENC" - Glass Enclosure
- "/ENC-P" - Acrylic Conical Prismatic Lens - Available on 22" Acrylic Reflector. For 40°C Ambient
- "/SQ" - Super Quiet Unit