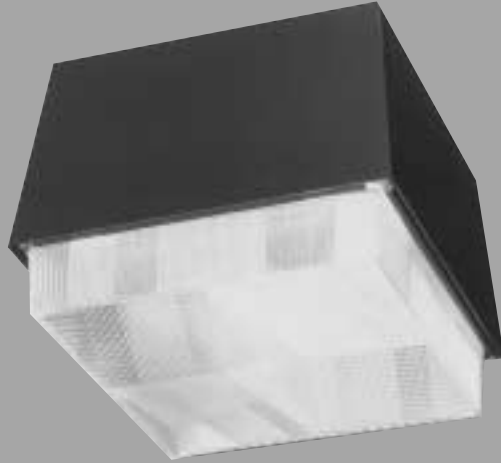


# HANDILITER-Z™

## Outstanding Light Output with Durable Construction



### FEATURES

- Up TO 175 watt HID
- HPS or MH lamps
- 13" square x 9.75" deep
- Specular aluminum reflector
- 60°C gasketing
- Aluminum housing
- No visible fasteners

### BENEFITS

- Corrosion resistant
- Low glare
- 1.7 to 1 spacing
- High efficiency
- Architectural design

### APPLICATIONS

- Parking garages
- Canopies
- Walkways
- Warehouses
- Schools

## Specifications/Features

### GENERAL

- Outdoor ceiling mounted type not more than 13" square by 9-3/4" deep.
- All components secured to mounting plate by vibration resistant screws.
- Design allows relamping without removal of lens from housing.

### CONSTRUCTION

- Aluminum housing finished in baked bronze powder coat.
- Lens shall be supported in frame which seals against housing with 60° rated closed cell cross-link polyethylene gasketing.
- Concealed hinge-springs with no visible fasteners.
- Specular aluminum reflector.

### LISTINGS

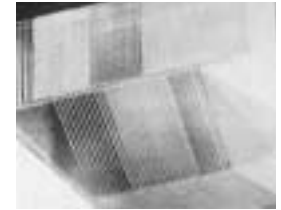
- U.L. Listed, "Suitable for Wet Locations."

### ELECTRICAL

- Ballasts are HPF for a maximum of 175 watts with voltage selected.
- All fixtures carry the IBEW Union label to ensure quality.



*Reflector of Specular aluminum for lasting efficiency and consistent lighting performance. Reflector shape enables broad light distribution (1.7:1) and reflector isolates lamp heat from ballast and capacitor for long component life.*



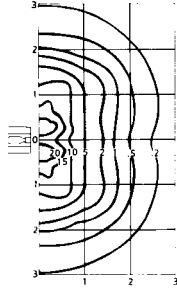
*Lens is sealed in fixture housing making it insect proof and weather tight. Closed cell cross-link polyethylene gasket seals chassis and housing.*

# Photometrics

Coefficients of Utilization  
1 Lamp, 150W HPS B17652/120

Ceiling Refl.	80%			50%			10%		
Wall Refl.	50	30	10	50	30	10	50	30	10
RCR	20% Effective Floor Cavity Reflectance								
1	.62	.60	.56	.59	.57	.55	.56	.55	.54
2	.56	.52	.50	.53	.49	.48	.51	.49	.47
3	.50	.46	.43	.47	.44	.42	.46	.43	.41
4	.45	.41	.37	.43	.39	.36	.42	.39	.36
5	.40	.36	.32	.39	.35	.32	.38	.34	.32
6	.36	.32	.28	.35	.31	.28	.34	.30	.27
7	.32	.28	.24	.31	.27	.24	.30	.26	.24
8	.29	.24	.21	.28	.24	.21	.27	.23	.21
9	.26	.21	.18	.25	.21	.18	.24	.21	.18
10	.24	.19	.16	.23	.18	.16	.22	.18	.16

Each Square = UNIT MTG HT.  
B17-652 150W HPS, Acrylic Lens



## MOUNTING HEIGHT CONVERSION CHART\*

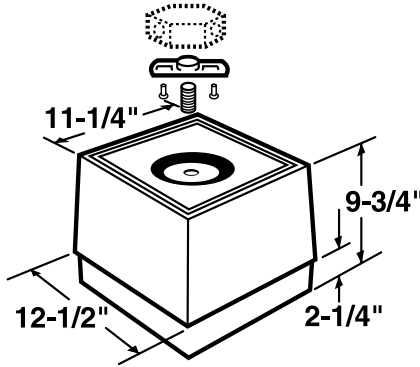
Mounting Height	Footcandle Multiplier
10'	1.44
14'	.74
16'	.56
18'	.44
20'	.36

\*Photometrics taken with 12' mounting height. For other mounting heights, use footcandle multiplier above.

Report No.  
P11375

S/MH Ratio 1.8:1  
Total Lamp Lumens 16,000  
Fixture Efficiency 58%

# Dimensions



Unit installs to any 4" outlet box, with universal mounting strap and 3/8" threaded nipple, 1" long.

# HandiLiter-Z™ Catalog Numbers

Catalog Number	Description	Total Watts
B17650/120	175W, MH, BT28 Lamp, Acrylic Lens, 12-1/2" Sq.	210
B17651/120	175W, MH, BT28 Lamp, Polycarbonate Lens, 12-1/2" Sq.	210
B17652/120	150W, HPS E23-1/2 or BT28 Lamp, Acrylic Lens, 12-1/2" Sq.*	188
B17653/120	150W, HPS E23-1/2 or BT28 Lamp, Polycarbonate Lens, 12-1/2" Sq.*	188
B17656/120	100W, MH, ED17 Lamp, Acrylic Lens, 12-1/2" Sq.	130
B17657/120	100W, MH, ED17 Lamp, Polycarbonate Lens, 12-1/2" Sq.	130
B17658/120	70W, MH, M98/M143 Lamp, Acrylic Lens, 12-1/2" Sq. Medium Base	89
B17659/120	70W, MH, M98/M143 Lamp, Polycarbonate Lens, 12-1/2" Sq. Medium Base	89
B17660/120	150W, MH, M102/M142 Lamp, Acrylic Lens, 12-1/2" Sq. Medium Base	185
B17661/120	150W, MH, M102/M142 Lamp, Polycarbonate Lens, 12-1/2" Sq. Medium Base	185
B17662/120	70W, HPS, S62 Lamp, Acrylic Lens, 12-1/2" Sq. Medium Base	88
B17663/120	70W, HPS, S62 Lamp, Polycarbonate Lens, 12-1/2" Sq. Medium Base	88

\*Ballast for 55 volt lamp.

# Options

- "/CAB" - Cast Aluminum Outlet Box
- "/OBC" - Surface Wiring Collar
- "/L" - Pre-packaged lamps
- "/TP" - Tamper Proof Screws
- "/ISL" - Instant Standby Quartz
- "/DISL" - Delay Instant Standby Quartz

## Project Name:

Type	Catalogue Number	Comments

Guth utilized the services of U.L. and ETL for listing products. Specifications and data are subject to change without notice.